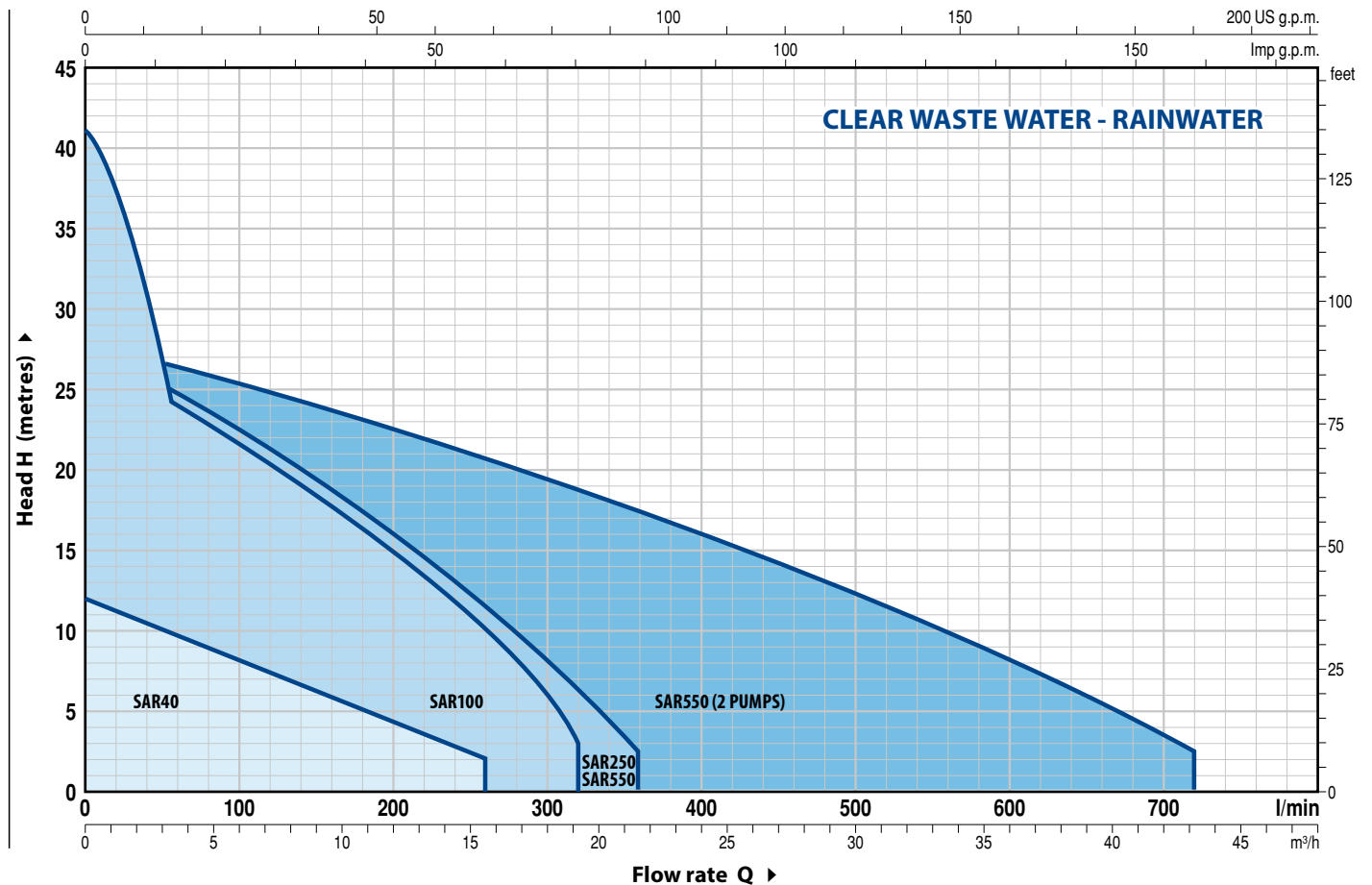


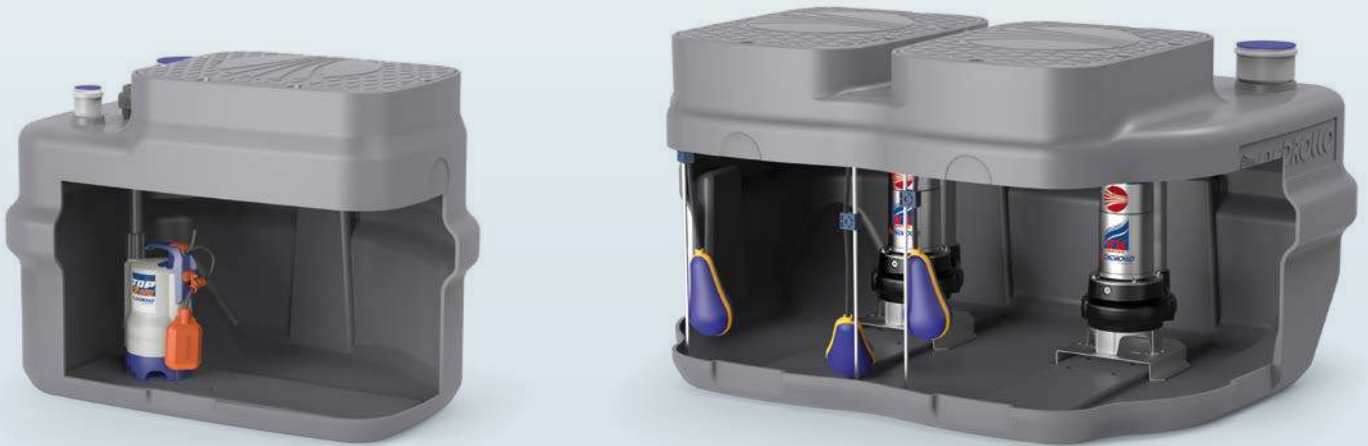
-  Domestic use
-  Agricultural use
-  Civil use



PERFORMANCE RANGE

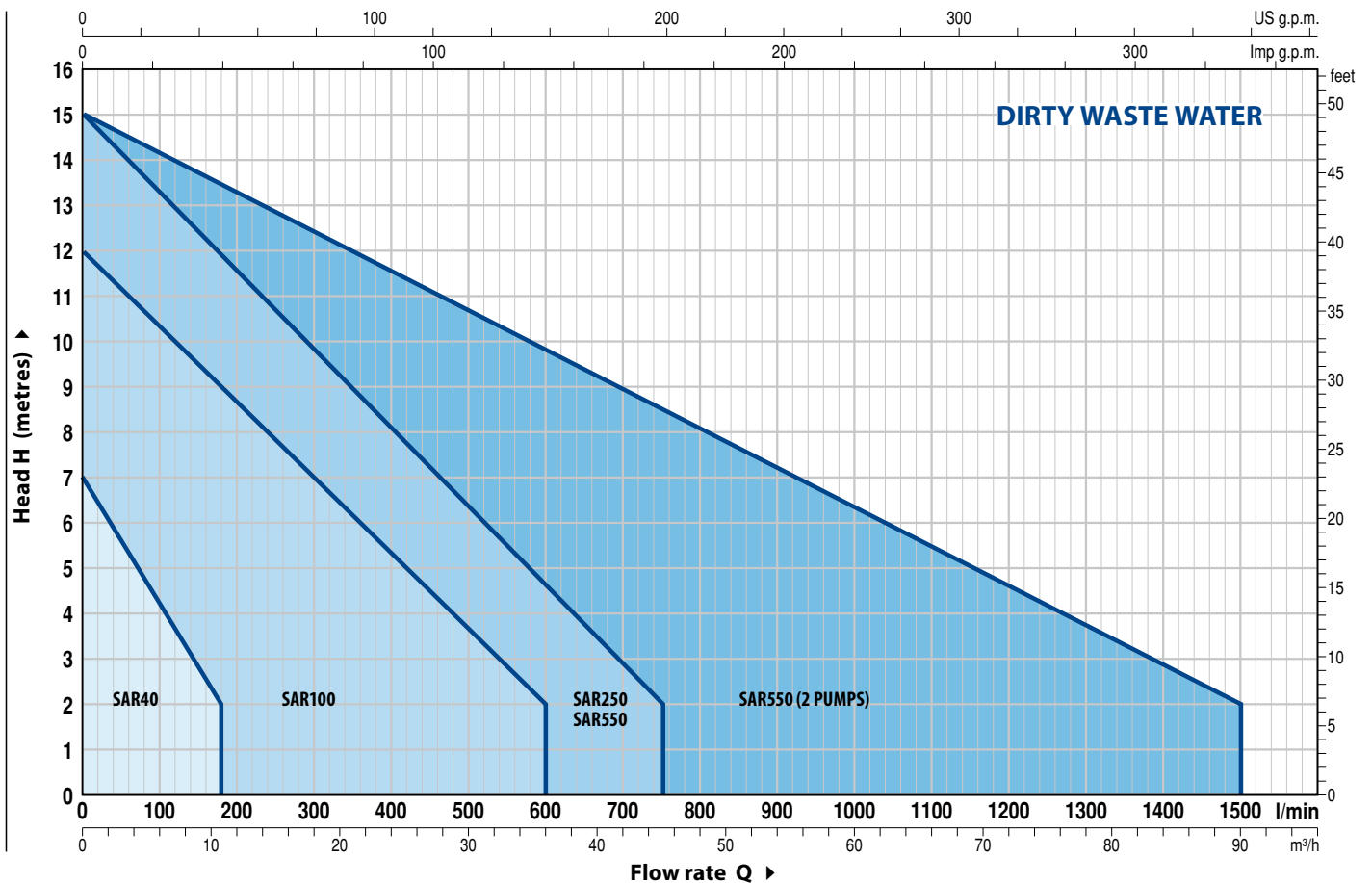
50 Hz n = 2900 rpm





PERFORMANCE RANGE

50 Hz n= 2900 rpm



CLEAR WASTE WATER - RAINWATER

| MODEL | POWER (P ₂) | | TANK CAPACITY litres | MAXIMUM FLOW RATE litres/min | MAXIMUM HEAD metres |
|----------------|-------------------------|------|-------------------------|---------------------------------|------------------------|
| | kW | HP | | | |
| SAR 40 - TOP 1 | 0.25 | 0.33 | 40 | 160 | 6 |
| SAR 40 - TOP 2 | 0.37 | 0.50 | 40 | 220 | 8 |
| SAR 40 - TOP 3 | 0.55 | 0.75 | 40 | 260 | 10 |
| SAR 40 - RXm 1 | 0.25 | 0.33 | 40 | 160 | 6.5 |
| SAR 40 - RXm 2 | 0.37 | 0.50 | 40 | 220 | 9.5 |
| SAR 40 - RXm 3 | 0.55 | 0.75 | 40 | 220 | 11.5 |



DIRTY WASTE WATER

| MODEL | POWER (P ₂) | | TANK CAPACITY litres | MAXIMUM FLOW RATE litres/min | MAXIMUM HEAD metres |
|-----------------------|-------------------------|------|-------------------------|---------------------------------|------------------------|
| | kW | HP | | | |
| SAR 40 - TOP 2-VORTEX | 0.37 | 0.50 | 40 | 180 | 6.5 |
| SAR 40 - RXm2/20 | 0.37 | 0.50 | 40 | 180 | 6.5 |

COMPONENTS

- **40 litres** polyethylene tank with cover plate
- Pump complete with float switch
- Power cable: **supplied with standard 5 metres cable** with Schuko plug (EN 60335-2-41 standard states that the power cable must be 10 metres long for outside use)
- Non-return valve
- Accumulation stations with **inlet tube 1½"** gas, **outlet 1¼"** gas and **vent ½"** gas

CLEAR WASTE WATER - RAINWATER



| MODEL | POWER (P ₂) | | TANK CAPACITY litres | MAXIMUM FLOW RATE litres/min | MAXIMUM HEAD metres |
|-----------------------|-------------------------|------|-------------------------|---------------------------------|------------------------|
| | kW | HP | | | |
| SAR 100 - TOP 2 | 0.37 | 0.50 | 100 | 220 | 8 |
| SAR 100 - TOP 3 | 0.55 | 0.75 | 100 | 260 | 10 |
| SAR 100 - TOP 4 N | 0.75 | 1 | 100 | 320 | 12.5 |
| SAR 100 - TOP MULTI 2 | 0.55 | 0.75 | 100 | 80 | 40 |
| SAR 100 - TOP MULTI 3 | 0.55 | 0.75 | 100 | 120 | 32 |
| SAR 100 - RXm 2 | 0.37 | 0.50 | 100 | 220 | 9.5 |
| SAR 100 - RXm 3 | 0.55 | 0.75 | 100 | 220 | 11.5 |
| SAR 100 - Dm 10-N | 0.75 | 1 | 100 | 300 | 15.5 |
| SAR 100 - Dm 20-N | 0.75 | 1 | 100 | 250 | 19 |
| SAR 100 - Dm 30-N | 1.1 | 1.5 | 100 | 275 | 26 |

DIRTY WASTE WATER

| MODEL | POWER (P ₂) | | TANK CAPACITY litres | MAXIMUM FLOW RATE litres/min | MAXIMUM HEAD metres |
|------------------------|-------------------------|------|-------------------------|---------------------------------|------------------------|
| | kW | HP | | | |
| SAR 100 - TOP 2-VORTEX | 0.37 | 0.50 | 100 | 180 | 6.5 |
| SAR 100 - TOP 3-VORTEX | 0.55 | 0.75 | 100 | 180 | 8 |
| SAR 100 - RXm 2/20 | 0.37 | 0.50 | 100 | 180 | 6.5 |
| SAR 100 - RXm 3/20 | 0.55 | 0.75 | 100 | 180 | 8 |
| SAR 100 - ZXm 1A/40 | 0.60 | 0.85 | 100 | 400 | 10.5 |
| SAR 100 - VXm 8/35-N | 0.55 | 0.75 | 100 | 350 | 8 |
| SAR 100 - VXm 10/35-N | 0.75 | 1 | 100 | 400 | 10 |
| SAR 100 - VXm 8/50-N | 0.55 | 0.75 | 100 | 450 | 6 |
| SAR 100 - VXm 10/50-N | 0.75 | 1 | 100 | 550 | 8.5 |
| SAR 100 - BCm 10/50-N | 0.75 | 1 | 100 | 600 | 11 |

COMPONENTS

- 100 litres polyethylene tank with cover plate
- Pump complete with float switch
- Power cable: **supplied with standard 10 metres cable** with Schuko plug
- Accumulation stations with **inlet tube** Ø 110 mm, **outlet** 1¼" or 1½" or 2" gas and **vent** Ø 50 mm

CLEAR WASTE WATER - RAINWATER

| MODEL | POWER (P ₂) | | TANK CAPACITY litres | MAXIMUM FLOW RATE litres/min | MAXIMUM HEAD metres |
|-------------------|-------------------------|------|-------------------------|---------------------------------|------------------------|
| | kW | HP | | | |
| SAR 250 - TOP 3 | 0.55 | 0.75 | 250 | 260 | 10 |
| SAR 250 - TOP 4 N | 0.75 | 1 | 250 | 320 | 12.5 |
| SAR 250 - TOP 5 N | 0.92 | 1.25 | 250 | 360 | 15 |
| SAR 250 - RXm 3 | 0.55 | 0.75 | 250 | 220 | 11.5 |
| SAR 250 - RXm 4 | 0.75 | 1 | 250 | 260 | 15 |
| SAR 250 - RXm 5 | 1.1 | 1.5 | 250 | 300 | 19.5 |
| SAR 250 - Dm 10-N | 0.75 | 1 | 250 | 300 | 15.5 |
| SAR 250 - Dm 20-N | 0.75 | 1 | 250 | 250 | 19 |
| SAR 250 - Dm 30-N | 1.1 | 1.5 | 250 | 275 | 26 |



DIRTY WASTE WATER

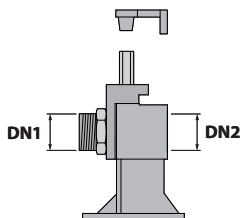
| MODEL | POWER (P ₂) | | TANK CAPACITY litres | MAXIMUM FLOW RATE litres/min | MAXIMUM HEAD metres |
|------------------------|-------------------------|------|-------------------------|---------------------------------|------------------------|
| | kW | HP | | | |
| SAR 250 - TOP 2-VORTEX | 0.37 | 0.50 | 250 | 180 | 6.5 |
| SAR 250 - TOP 3-VORTEX | 0.55 | 0.75 | 250 | 180 | 8 |
| SAR 250 - RXm 3/20 | 0.55 | 0.75 | 250 | 180 | 8 |
| SAR 250 - RXm 4/40 | 0.75 | 1 | 250 | 280 | 9.5 |
| SAR 250 - RXm 5/40 | 1.1 | 1.5 | 250 | 380 | 12.5 |
| SAR 250 - VXm10/35-ST | 0.75 | 1 | 250 | 400 | 10.5 |
| SAR 250 - VXm10/50-ST | 0.75 | 1 | 250 | 550 | 9.5 |
| SAR 250 - BCm10/50-ST | 0.75 | 1 | 250 | 600 | 11 |
| SAR 250 - VXm 10/35-N | 0.75 | 1 | 250 | 400 | 10 |
| SAR 250 - VXm 15/35-N | 1.1 | 1.5 | 250 | 500 | 13.5 |
| SAR 250 - VXm 10/50-N | 0.75 | 1 | 250 | 550 | 8.5 |
| SAR 250 - VXm 15/50-N | 1.1 | 1.5 | 250 | 650 | 11 |
| SAR 250 - BCm 10/50-N | 0.75 | 1 | 250 | 600 | 11 |
| SAR 250 - BCm 15/50-N | 1.1 | 1.5 | 250 | 750 | 14 |

COMPONENTS

- 250 litres polyethylene tank with cover plate
- Pump complete with float switch
- Power cable: **supplied with standard 10 metres cable** with Schuko plug
- Accumulation stations with **inlet tube** Ø 110 mm, **outlet** 1¼" or 1½" or 2" gas and **vent** Ø 50 mm
- Coupling support and guide tubes for lowering of pump (only for VX-ST and BC-ST)

BASE PEDESTAL ELBOW (DUCT FOOT)

| MODEL | PORTS | |
|------------------------------|-------|-----|
| | DN1 | DN2 |
| PA/1 (VX/35-ST) | 1½" | 2" |
| PA/2 (VX/50-ST and BC/50-ST) | 2" | |



OPTIONS AVAILABLE ON REQUEST

Alarm KIT (Cod. KSKIT-ALLARME)

Kit includes:

- Control box, self-powered siren, float

300 mm extension kit (Cod. KSKIT-300MA)

Kit includes:

- Extension kit for the installation of the polyethylene "SAR" tank at greater depths

300 mm extension kit for VX-ST and BC-ST versions (Cod. KSKIT-300MM)

Kit includes:

- Extension kit for the installation of the polyethylene "SAR" tank at greater depths
- Longer guide tubes

CLEAR WASTE WATER - RAINWATER

| MODEL | POWER (P ₂) | | TANK CAPACITY litres | MAXIMUM FLOW RATE (1 pump) litres/min | MAXIMUM HEAD metres |
|------------------|-------------------------|------|-------------------------|---|------------------------|
| | kW | HP | | | |
| SAR 550 - TOP4 N | 0.75 | 1 | 550 | 320 | 12.5 |
| SAR 550 - TOP5 N | 0.92 | 1.25 | 550 | 360 | 15 |
| SAR 550 - RXm4 | 0.75 | 1 | 550 | 260 | 15 |
| SAR 550 - RXm5 | 1.1 | 1.5 | 550 | 300 | 19.5 |
| SAR 550 - Dm10-N | 0.75 | 1 | 550 | 300 | 15.5 |
| SAR 550 - Dm20-N | 0.75 | 1 | 550 | 250 | 19 |
| SAR 550 - Dm30-N | 1.1 | 1.5 | 550 | 275 | 26 |

DIRTY WASTE WATER

| MODEL | POWER (P ₂) | | TANK CAPACITY litres | MAXIMUM FLOW RATE (1 pump) litres/min | MAXIMUM HEAD metres |
|-----------------------|-------------------------|-----|-------------------------|---|------------------------|
| | kW | HP | | | |
| SAR 550 - RXm 4/40 | 0.75 | 1 | 550 | 280 | 9.5 |
| SAR 550 - RXm 5/40 | 1.1 | 1.5 | 550 | 380 | 12.5 |
| SAR 550 - VXm10/35-ST | 0.75 | 1 | 550 | 400 | 10.5 |
| SAR 550 - VXm10/50-ST | 0.75 | 1 | 550 | 550 | 9.5 |
| SAR 550 - BCm10/50-ST | 0.75 | 1 | 550 | 600 | 11 |
| SAR 550 - VXm 10/35-N | 0.75 | 1 | 550 | 400 | 10 |
| SAR 550 - VXm 15/35-N | 1.1 | 1.5 | 550 | 500 | 13.5 |
| SAR 550 - VXm 10/50-N | 0.75 | 1 | 550 | 550 | 8.5 |
| SAR 550 - VXm 15/50-N | 1.1 | 1.5 | 550 | 650 | 11 |
| SAR 550 - BCm 10/50-N | 0.75 | 1 | 550 | 600 | 11 |
| SAR 550 - BCm 15/50-N | 1.1 | 1.5 | 550 | 750 | 14 |

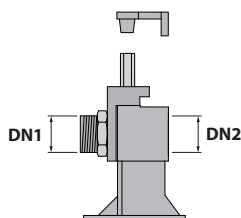


COMPONENTS

- 550 litre polyethylene tank with two lids
- Two single-phase pumps
- Power cable: **supplied with standard 10 metres cable** with Schuko plug
- Control box
- Three floats for: **1)** alternating switch-on of one of the two pumps, **2)** maximum level with switch-on of second pump, **3)** minimum level with switch-off of pumps
- Accumulation stations with two **inlet tubes** Ø 110 mm, **outlet** 1½" or 2" gas and **vent** Ø 50 mm
- Coupling support and guide tubes for lowering of pump (only for VX-ST and BC-ST)

BASE PEDESTAL ELBOW (DUCT FOOT)

| MODEL | PORTS | |
|--------------------------------|-------|-----|
| | DN1 | DN2 |
| PA/1 (VX /35-ST) | 1½" | 2" |
| PA/2 (VX /50-ST and BC /50-ST) | 2" | |



OPTIONS AVAILABLE ON REQUEST

Alarm KIT (Cod. KSKIT-ALLARME)

Kit includes:

- Control box, self-powered siren, float

300 mm extension kit (Cod. KSKIT-300MA)

Kit includes:

- Extension kit for the installation of the polyethylene "SAR" tank at greater depths

ATTENTION: the tank is fitted with two lids.

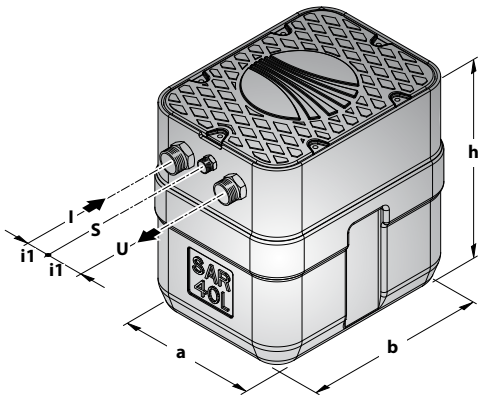
300 mm extension kit for VX-ST and BC-ST versions (Cod. KSKIT-300MM)

Kit includes:

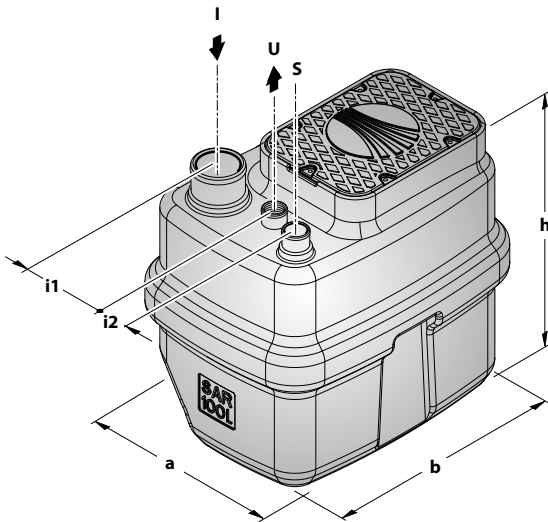
- Extension kit for the installation of the polyethylene "SAR" tank at greater depths
- Longer guide tubes

ATTENTION: the tank is fitted with two lids.

DIMENSIONS AND WEIGHT

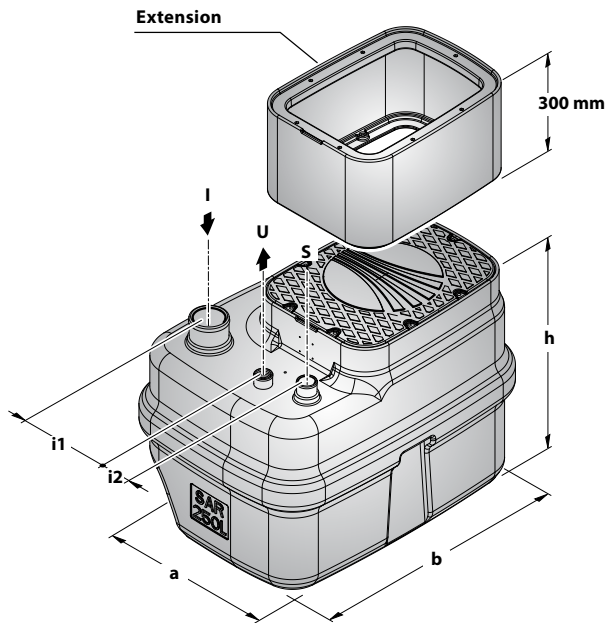


| MODEL | PORTS | | | DIMENSIONS mm | | | | kg |
|-----------------------|-------|-----|----|---------------|-----|-----|----|------|
| | I | U | S | a | b | h | i1 | |
| SAR 40 - TOP1 | | | | | | | | 14.0 |
| SAR 40 - TOP2 | | | | | | | | 14.7 |
| SAR 40 - TOP3 | | | | | | | | 16.1 |
| SAR 40 - RXm1 | 1½" | 1¼" | ½" | 310 | 410 | 410 | 60 | 14.2 |
| SAR 40 - RXm2 | | | | | | | | 15.3 |
| SAR 40 - RXm3 | | | | | | | | 16.9 |
| SAR 40 - TOP 2-VORTEX | | | | | | | | 14.6 |
| SAR 40 - RXm 2/20 | | | | | | | | 15.6 |

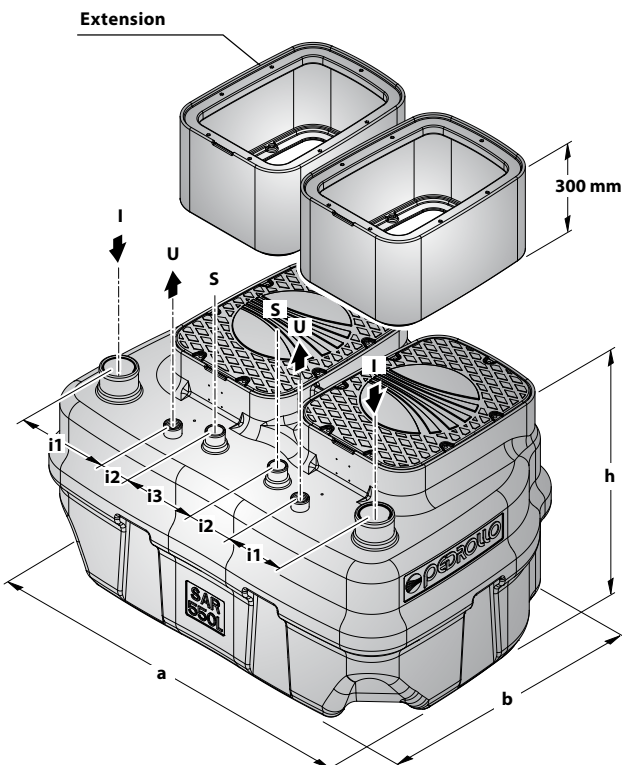


| MODEL | PORTS | | | DIMENSIONS mm | | | | | | kg |
|------------------------|----------|-----|---------|---------------|-----|-----|-----|-----|------|----|
| | I | U | S | a | b | h | i1 | i2 | | |
| SAR 100 - TOP2 | | 1¼" | | | | | | | 28.7 | |
| SAR 100 - TOP3 | | | | | | | | | 30.1 | |
| SAR 100 - TOP4 N | | 1½" | | | | | | | 33.7 | |
| SAR 100 - TOP MULTI 2 | | | | | | | | | 32.9 | |
| SAR 100 - TOP MULTI 3 | | | | | | | | | 32.9 | |
| SAR 100 - RXm2 | | 1¼" | | | | | | | 29.3 | |
| SAR 100 - RXm3 | | | | | | | | | 29.6 | |
| SAR 100 - Dm10-N | | | | | | | | | 36.6 | |
| SAR 100 - Dm20-N | | 1½" | | | | | | | 36.6 | |
| SAR 100 - Dm30-N | Ø 110 mm | | Ø 50 mm | 500 | 690 | 645 | 145 | 100 | 38.6 | |
| SAR 100 - TOP 2-VORTEX | | | | | | | | | 28.7 | |
| SAR 100 - TOP 3-VORTEX | | 1¼" | | | | | | | 30.1 | |
| SAR 100 - RXm 2/20 | | | | | | | | | 29.6 | |
| SAR 100 - RXm 3/20 | | | | | | | | | 29.8 | |
| SAR 100 - ZXm 1A/40 | | | | | | | | | 35.2 | |
| SAR 100 - VXm 8/35-N | | 1½" | | | | | | | 36.4 | |
| SAR 100 - VXm 10/35-N | | | | | | | | | 37.2 | |
| SAR 100 - VXm 8/50-N | | | | | | | | | 36.9 | |
| SAR 100 - VXm 10/50-N | | 2" | | | | | | | 37.7 | |
| SAR 100 - BCm 10/50-N | | | | | | | | | 38.4 | |

DIMENSIONS AND WEIGHT



| MODEL | PORTS | | | DIMENSIONS mm | | | | | kg |
|------------------------|--------|-----|-------|---------------|-----|-----|-----|-----|------|
| | I | U | S | a | b | h | i1 | i2 | |
| SAR 250 - TOP3 | | 1¼" | | | | | | | 42.6 |
| SAR 250 - TOP4 N | | 1½" | | | | | | | 46.2 |
| SAR 250 - TOP5 N | | 1½" | | | | | | | 47.1 |
| SAR 250 - RXm3 | | 1¼" | | | | | | | 43.4 |
| SAR 250 - RXm4 | | 1½" | | | | | | | 48.7 |
| SAR 250 - RXm5 | | 1½" | | | | | | | 49.7 |
| SAR 250 - Dm10-N | | 1½" | | | | | | | 49.1 |
| SAR 250 - Dm20-N | | 1½" | | | | | | | 49.1 |
| SAR 250 - Dm30-N | | 1½" | | | | | | | 51.1 |
| SAR 250 - TOP 2-VORTEX | | 1¼" | | | | | | | 41.2 |
| SAR 250 - TOP 3-VORTEX | ∅ | 1¼" | ∅ | 700 | 970 | 715 | 250 | 130 | 42.6 |
| SAR 250 - RXm 3/20 | 110 mm | 1¼" | 50 mm | | | | | | 43.8 |
| SAR 250 - RXm 4/40 | | 1½" | | | | | | | 49.0 |
| SAR 250 - RXm 5/40 | | 1½" | | | | | | | 50.0 |
| SAR 250 - VXm10/35-ST | | 2" | | | | | | | 47.1 |
| SAR 250 - VXm10/50-ST | | 2" | | | | | | | 47.2 |
| SAR 250 - BCm10/50-ST | | 1½" | | | | | | | 47.9 |
| SAR 250 - VXm 10/35-N | | 1½" | | | | | | | 49.7 |
| SAR 250 - VXm 15/35-N | | 1½" | | | | | | | 51.7 |
| SAR 250 - VXm 10/50-N | | 2" | | | | | | | 50.2 |
| SAR 250 - VXm 15/50-N | | 2" | | | | | | | 52.2 |
| SAR 250 - BCm 10/50-N | | 2" | | | | | | | 50.9 |
| SAR 250 - BCm 15/50-N | | 2" | | | | | | | 52.5 |



| MODEL | PORTS | | | DIMENSIONS mm | | | | | | kg |
|------------------------|--------|-----|-------|---------------|-----|-----|-----|-----|-----|-------|
| | I | U | S | a | b | h | i1 | i2 | i3 | |
| SAR 550 - TOP4 N | | | | | | | | | | 93.4 |
| SAR 550 - TOP5 N | | | | | | | | | | 95.2 |
| SAR 550 - RXm4 | | | | | | | | | | 98.4 |
| SAR 550 - RXm5 | | | | | | | | | | 100.4 |
| SAR 550 - Dm10-N | | 1½" | | | | | | | | 99.2 |
| SAR 550 - Dm20-N | | 1½" | | | | | | | | 99.2 |
| SAR 550 - Dm30-N | | 1½" | | | | | | | | 103.2 |
| SAR 550 - RXm 4/40 | | 1½" | | | | | | | | 99.0 |
| SAR 550 - RXm 5/40 | ∅ | 1½" | ∅ | 1350 | 970 | 715 | 250 | 130 | 240 | 101.0 |
| SAR 550 - VXm 10/35-ST | 110 mm | 1½" | 50 mm | | | | | | | 95.2 |
| SAR 550 - VXm 10/50-ST | | 2" | | | | | | | | 95.4 |
| SAR 550 - BCm10/50-ST | | 1½" | | | | | | | | 96.8 |
| SAR 550 - VXm 10/35-N | | 1½" | | | | | | | | 100.4 |
| SAR 550 - VXm 15/35-N | | 1½" | | | | | | | | 104.4 |
| SAR 550 - VXm 10/50-N | | 2" | | | | | | | | 101.4 |
| SAR 550 - VXm 15/50-N | | 2" | | | | | | | | 105.4 |
| SAR 550 - BCm 10/50-N | | 2" | | | | | | | | 102.8 |
| SAR 550 - BCm 15/50-N | | 2" | | | | | | | | 106.0 |